



LAUNDRY **SOLUTIONS**
YOU CAN **DEPEND** ON.

MAYTAG® COMMERCIAL ENERGY ADVANTAGE™ RIGID-MOUNT FRONT-LOAD WASHER

MORE ENERGY-SAVING SOLUTIONS THAN ANY OTHER BRAND

Maytag built the first appliance ever to receive the ENERGY STAR® label. Today we offer more high-efficiency laundry appliances than any other brand — from energy-efficient dryers to highly efficient ENERGY STAR®-qualified washers — to help you save money and build profits.

MAYTAG® TURBOWASH™ SYSTEM

Specially designed spray baffles and tumble patterns provide more cleaning power while using less water, cutting costs and maximizing your profits.

FOR YOUR CUSTOMERS:

- Big-Load Design With Oversized Door Opening
- Easy-To-Use One-Touch Cycle Selection
- Display Shows Time Remaining
- Enhanced Super Cycle Options Increase Revenue

FOR YOUR OPERATION:

- Inverter Drive Technology For Better Efficiency And Longer Life
- Microprocessor Coin-Drop Helps Prevent Slugging
- Accu Trac® Audit System With Two-Way Data Communication
- Debit Card Compatibility
- Self-Diagnostic Feature Cuts Service Costs And Minimizes Downtime
- Easy Service Access
- Programmable LCD Digital Display In English, Spanish Or French

BUILT-TO-LAST™ FEATURES:

- The Best Warranty In The Business
- Extra-Large 3" Drain Valve
- Commercial-Duty Door Handle, Belts And Frame
- Reliable Die-Cast Door Lock Assembly
- Durable Sealed Bearings
- Stainless Steel Top, Front And Sides

* Compared to previous Maytag® MFR washers. Total savings may vary by model.

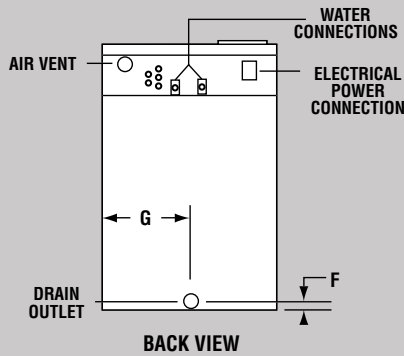
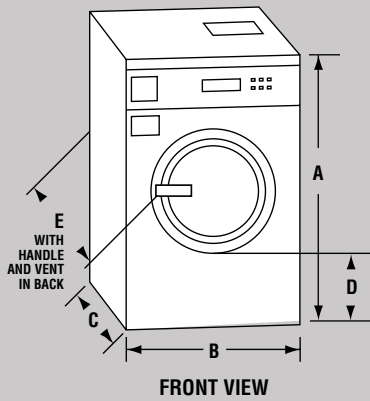
MFR60PD



**CUTS WATER USAGE
BY UP TO 44%
WITH THE TURBOWASH™
SYSTEM.***

Maytag® Energy Advantage™ Rigid-Mount Washer Extractor

MICROPROCESSOR COIN-DROP



**THE BEST WARRANTY
IN THE BUSINESS —
5 YEARS ON ALL PARTS.**

For a period from the date of original purchase through the time listed above, the designated parts that fail in normal commercial use will be repaired or replaced free of charge for the part itself, with the owner paying all other costs, including labor, transportation and customs duty. Chemical damage is excluded from all warranty coverage. See complete warranty for details.



Energy Advantage™ Rigid-Mount Washer Extractor	
WASHER SPECIFICATIONS	
MODELS	MFR60PD
MOTOR	
Inverter drive	•
Variable speed	•
HP (kw)	3 (2.2)
Voltage	208 – 240V Single-Phase/Three-Phase
AMPERAGE SUPPLY	
20	
SPEED	
Wash speed — maximum rpm	42
Extract speed — maximum rpm	490
Extract speed — maximum g-force	100
LIQUID SOAP SIGNALS	
8	
WATER INLET/HOSE	
Water inlet — in. (cm)	.75 (1.9)
Operating pressure — psi (bar)	14.5 – 116 (1 – 8)
Drain size — in. (cm)	3.0 (7.5) O.D.
CAPACITY	
Lbs. (kg)	60 (27)
Cylinder volume — cu. ft. (liters)	9.5 (270)
Cylinder diameter — in. (cm)	29.5 (75)
Cylinder depth — in. (cm)	24.0 (61)
COLOR	
Stainless Steel	
APPROXIMATE WEIGHT	
Crated — lbs. (kg)	1,047 (475)
Uncrated — lbs. (kg)	915 (415)
DIMENSIONS	
A) Height — in. (cm)	54.33 (138.0)
B) Width — in. (cm)	34.25 (86.9)
C) Depth — in. (cm)	40.95 (104.0)
D) Floor to bottom of door — in. (cm)	15.3 (38.9)
E) Depth including handle and vent on back — in. (cm)	44.84 (113.9)
F) Floor to drain outlet center — in. (cm)	3.47 (88)
G) Side to drain outlet center — in. (cm)	17.13 (43.5)
Door opening — in. (cm)	19.84 (50.4)
See specific instructions for proper installation. Because of continuous product improvement, Maytag reserves the right to change specifications without notice.	

NEW YORK CITY
M.E.A.

