

# MAH22PR

MAYTAG® COMMERCIAL  
ENERGY ADVANTAGE™  
HIGH-EFFICIENCY FRONT-LOAD WASHERS



\* Shown with optional pedestal.

**SAVE UP  
TO 60%  
EVERY YEAR\*  
ON ENERGY,  
WATER AND  
SEWER  
COSTS.**

- ▶ **MODIFIED ENERGY FACTOR 2.35**
- ▶ **WATER FACTOR 4.4**
- ▶ **CEE TIER III**

## LEGENDARY MAYTAG DEPENDABILITY

Maximizing your equipment investment for over a half century.



Built with optional non-metered design.

## A COMPLETE LINE OF ENERGY-EFFICIENT SOLUTIONS

Maytag built the first appliance ever to receive the ENERGY STAR® label. Today we offer a complete line of high-efficiency commercial laundry appliances — from energy-efficient dryers to highly efficient ENERGY STAR®-qualified washers — to help you save money and build profits.

### FOR YOUR CUSTOMERS:

- Large Capacity For Bulky Items
- High-Speed Extraction Cuts Drying Time
- Extra-Large Door Opening
- Easy-To-Use One-Touch Cycle Selection
- Flexible Wash Options
- Time Remaining Display
- Automatic Detergent, Softener And Bleach Dispenser
- Large Windows For Convenience
- Front Controls For Ease-Of-Use
- ADA Compliant With Optional Pedestal
- No Need To Carry Quarters

### FOR YOUR OPERATION:

- High Efficiency Design Offers Significant Utility Savings
- Super Cycle Option Increases Revenue
- Self-Diagnostic Feature Cuts Service Cost And Minimizes Downtime
- Accu Trac® Audit System With Two-Way Data Communication
- Debit Card Compatibility
- Advanced Computer Trac® Controls Allow For Easy Programming
- Simple Soft-Mount Design For Easy Installation

### BUILT-TO-LAST™ FEATURES:

- Porcelain-Enamel Top With Backsplash
- Precision Endurance Drive
- Controlled Induction Motor
- Best Warranty In The Business

LAUNDRY SOLUTIONS  
YOU CAN *DEPEND* ON.

\* Based on AHAM load sizes. Individual savings may vary.

CLP800



## OUR COMMITMENT TO DEPENDABLE QUALITY

At Maytag, we believe durable goods should remain just that. That's why every Maytag® product is constructed of the highest-quality materials and with the utmost in precision craftsmanship. It's also why we stand behind our equipment with solid service and support from our professional Maytag laundry suppliers. Simply put, when you choose Maytag® products, you ensure your peace of mind.

www.maytagcommerciallaundry.com



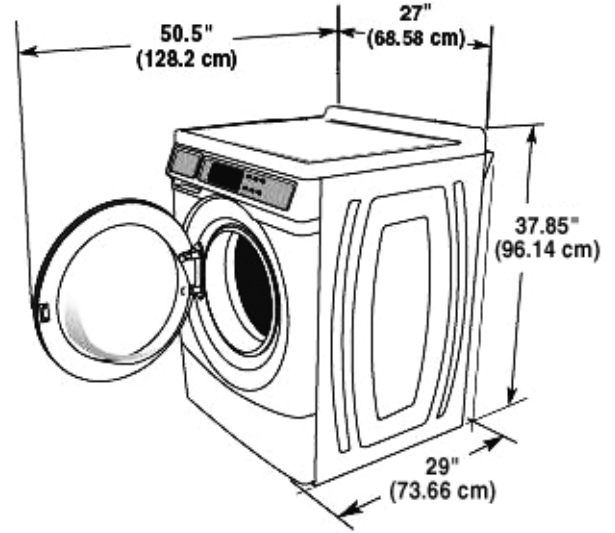
## MAH22PR

**MAYTAG® COMMERCIAL ENERGY ADVANTAGE™ HIGH-EFFICIENCY FRONT-LOAD WASHERS**

## Maytag® Energy Advantage™ Front-Load Washer MICROPROCESSOR CARD READER-READY

WASHER SPECIFICATIONS	
<b>MODEL</b>	<b>MAH22PR</b>
<b>MOTOR</b>	
Variable-speed, reversible, thermoprotected, high-efficiency, controlled induction	•
Wash — HP (kw)	.09 (.07)
Extract — HP (kw)	.54 (.40)
Average kilowatt per cycle	.08
<b>APPROXIMATE WATER USAGE</b> — gallons (liters)	
Average hot water usage, hot water cycle	3.5 (13.2)
Average hot water usage, warm water cycle	1.8 (6.8)
Average total water usage per cycle	13.1 (49.6)*
<b>ELECTRICAL RATING</b>	
Domestic model — voltage	120V/60 Hz
Export model — voltage	220-240V/50Hz
<b>BREAKER/FUSE REQUIREMENTS</b>	
Domestic model — amps	15
Export model — amps	10
<b>CYLINDER</b>	
Volume — cu. ft. (liters)	2.99 (84.7)
Diameter — in. (mm)	21.6 (547)
Depth — in. (mm)	13.4 (341)
<b>DOOR OPENING</b>	
In. (mm)	14.2 (361)
<b>WASH SPEED</b>	
RPM	40
<b>EXTRACT SPEED</b>	
Maximum rpm	1,000
Maximum g-force	306
<b>OPERATING PRESSURE</b>	
Psi (bar)	20-100 (1-8)
<b>INLET HOSE</b>	
Ft. (m)	4 (1.22)
<b>DRAIN HOSE</b>	
Ft. (m)	6 (1.83)
<b>ADJUSTABLE LEVELING LEGS</b>	•
<b>APPROXIMATE WEIGHT</b>	
Crated — lbs. (kg)	249 (112.9)
Uncrated — lbs. (kg)	234 (106.1)
<b>DIMENSIONS</b>	
Width — in. (mm)	27 (685.8)
Depth — in. (mm)	29 (736.6)
Height — in. (mm)	37.85 (961.4)**

\* Average based on JI testing with factory preset cycles.  
\*\* Height at backsplash top does not include pedestal.  
Dimensions are for planning purposes only. See specific instructions for proper installation. Because of continuous product improvement, Maytag reserves the right to change specifications without notice.



## 5 YEARS ON ALL PARTS

For a period from the date of original purchase through the time listed above, the designated parts that fail in normal commercial use will be repaired or replaced free of charge for the part itself, with the owner paying all other costs, including labor, transportation and customs duty. Chemical damage is excluded from all warranty coverage. See complete warranty for details.