

Ol' Lonely®



# MAYTAG® COMMERCIAL ENERGY ADVANTAGE™ MULTI-LOAD STACK DRYER

## MORE ENERGY-SAVING SOLUTIONS THAN ANY OTHER BRAND

Maytag built the first appliance ever to receive the ENERGY STAR® label. Today we offer more high-efficiency laundry appliances than any other brand — from energy-efficient dryers to highly efficient ENERGY STAR®-qualified washers — to help you save money and build profits.

## UPDATED CONTROLS

Includes Maytag® Accu Trac® audit system that uses a PDA to communicate with the microprocessor controls — so you can set up, monitor and audit your equipment in seconds.



## FOR YOUR CUSTOMERS:

- Fast-Drying Axial Airflow System
- ThermoGuard™ System Helps Prevent Laundry Overheating
- Extra-Large Door Openings
- Digital Display Shows Time Remaining In Cycle

## FOR YOUR OPERATION:

- Lowest BTU Dryer On The Market
- Improved Insulation For Greater Efficiency
- Front Serviceable
- Accu Trac® Audit System With Two-Way Data Communications
- Single Coin Box For Both Dryers
- Front Access For Easy Service
- 2 Large-Capacity Lint Drawers

## BUILT-TO-LAST™ FEATURES:

- Heavy-Duty Enclosed Motors
- The Best Warranty In The Business

\*Based on comparison between Maytag® MLG33 vs. Maytag® MLG32.

# MLG33PD



Model MLG33PD shown in White.

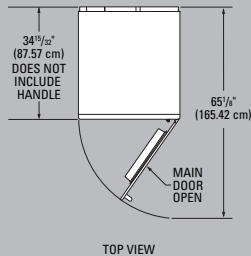
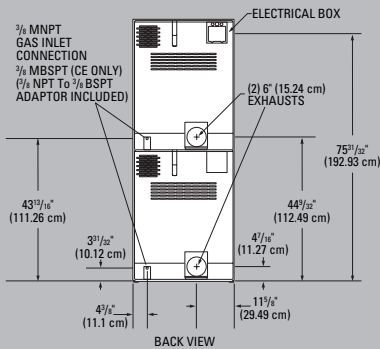
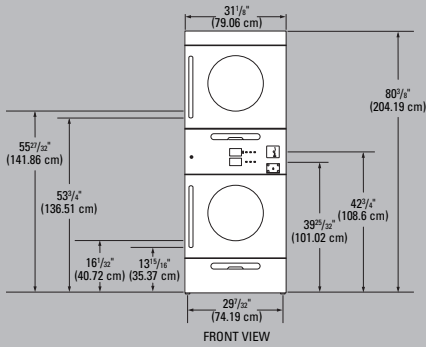
Model MLG33PD shown in Stainless Steel.

NEW MULTI-LOAD STACK DRYER SAVES UP TO 23% IN ENERGY AND UTILITY COSTS.\*

LAUNDRY SOLUTIONS YOU CAN *DEPEND* ON.

CLP739

# Maytag® Energy Advantage™ Multi-Load Stack Dryer — MICROPROCESSOR COIN-DROP



\*Dimensions will vary according to adjustment of leveling legs; add 1/2" (1.3 cm) minimum.

Energy Advantage™ Multi-Load Stack Dryer	
<b>DRYER SPECIFICATIONS</b>	
<b>MODEL</b>	<b>MLG33PD</b>
<b>MOTOR</b>	
Single-phase, thermoprotected against overload, auto-reset	•
HP (kw) Drive Motor	1/4 (.19)
HP (kw) Blower Motor	1/2 (.37)
<b>CAPACITY</b>	
Lbs. (kg) per drying chamber	30 (13.6)
Cu. ft. (cu. m) per drying chamber	11.04 (.312)
<b>AIRFLOW</b>	
Cfm (cm) per drying chamber	360 (10.2)
<b>TUMBLERS</b>	
Diameter — in. (cm)	30 (76.2)
Depth — in. (cm)	27 (68.5)
<b>DOOR OPENING DIAMETER</b>	
In. (cm)	19.375 (49.2)
<b>ELECTRICAL REQUIREMENTS</b>	
<b>BREAKER/FUSE REQUIREMENTS</b>	
Amps per drying chamber	10.3
<b>EXHAUST DUCT DIAMETER</b>	
In. (cm)	2 x 6 (15.2)
<b>GAS RATING</b>	
BTU/hr. (kcal/hr.) per drying chamber	55,000 (13,860)
<b>GAS INLET</b>	
In. N.P.T.	3/8
<b>COLORS</b>	
White	•
Stainless Steel	•
<b>APPROXIMATE WEIGHT</b>	
Crated — lbs. (kg)	580 (263)
Uncrated — lbs. (kg)	550 (249)
See specific instructions for proper installation. Because of continuous product improvement, Maytag reserves the right to change specifications without notice.	



NEW YORK CITY M.E.A.



## 5 YEARS — ALL PARTS

For a period from the date of original purchase through the time listed above, the designated parts that fail in normal commercial use will be repaired or replaced free of charge for the part itself, with the owner paying all other costs, including labor, transportation and customs duty. Chemical damage is excluded from all warranty coverage. See complete warranty for details.

